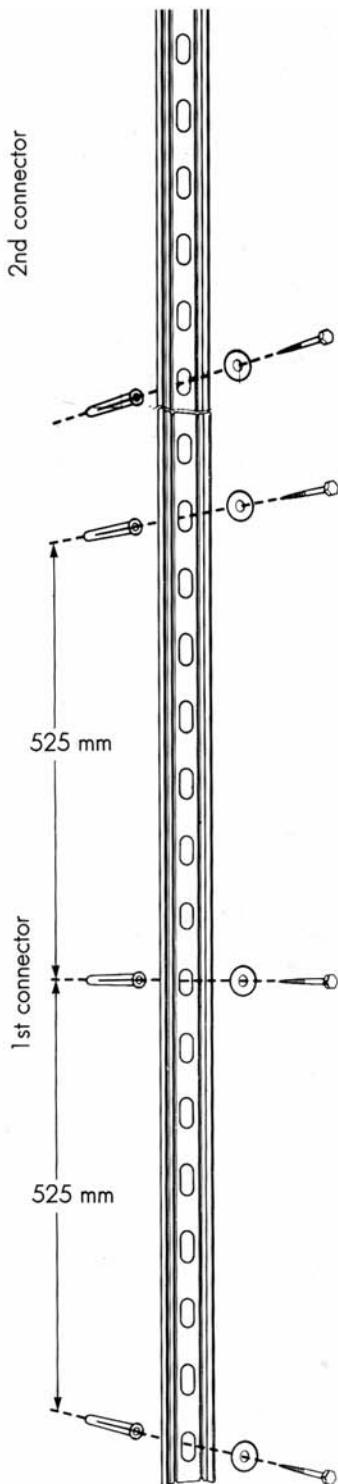
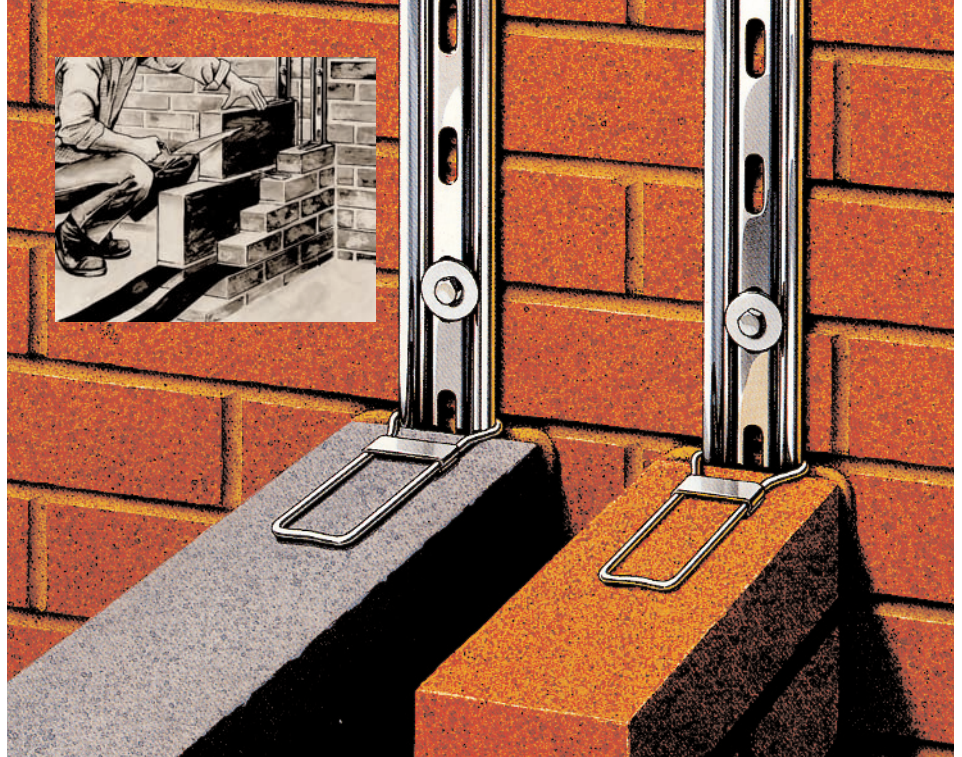


Allmat Universal Wall Connectors

Ties in new walls the professional way!

- Suitable for new masonry walls 60-250mm wide.
- Fully adjustable sliding wire wall tie system. Wall ties clip and fix to any position on the wall connector plate.
- Stainless steel or economy galvanised powder coated options.
- British board of Agrément Certificate No. 88/2025
- Suitable for 3-storey work.
- Allows for foundation movement.



STAINLESS STEEL RANGE

Description	Order codes
2 No 1AWC + 2 No 2PAK	2KIT
8 No 1AWC + 8 No 2PAK	8KIT
40 No 1AWC	BULK40S
40 No 2PAK	40PAK

POWDER COATED RANGE

Description	Order codes
2 No 1GWC + 2 No 2PAK	2GWC
40 No 1GWC	BULK40G
40 No 2PAK	40PAK